

Single monitor desk mount

Assembly instructions

For assembly assistance,
call 888-508-3725
or email support@fully.com

fully

Cautions

Read this entire instruction manual before you start installation and assembly. If you have any questions regarding any of the instructions or warnings, please contact Fully.

Use with monitors heavier than 17.6lbs may result in instability causing possible injury.

Mounts must be attached as specified in assembly instructions. Improper installation may result in damage or serious personal injury.

Make sure that the supporting surface will safely support the combined weight of the Monitor Desk Mount and all attached hardware and components.

Use the monitor mounting screws provided and **DO NOT OVER TIGHTEN** them.

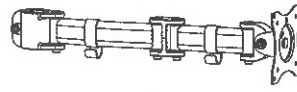
This product contains small items that could be a choking hazard if swallowed. Keep those items away from children.

This product is intended for indoor use only. Using this product outdoors could lead to product failure and personal injury.

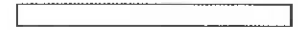
Important: Ensure that you have received all parts according to the component checklist prior to installation. If any parts are missing or faulty, contact Fully.

Maintenance: Check that the bracket is secure and safe to use at regular intervals. We recommend at least every three months.

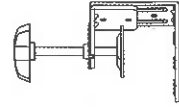
In the box



A. Arm x1



B. Pole x1



C. Clamp Mount x1



D. Cable Channel x1



E. Grommet Top Plate x1



F. Foam Feet x5



G. Flat Head Screw x1



H. Grommet Bottom Plate x1



I. Pole Cover x1



M-A. M4x12 screws x4



M-B. M5x12 screws x4

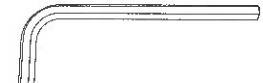


M-C. Washer x4

Tools



5mm Hex Wrench
(included)



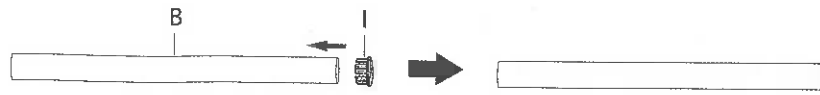
6mm Hex Wrench
(included)



Phillips Head Screwdriver
(not included)

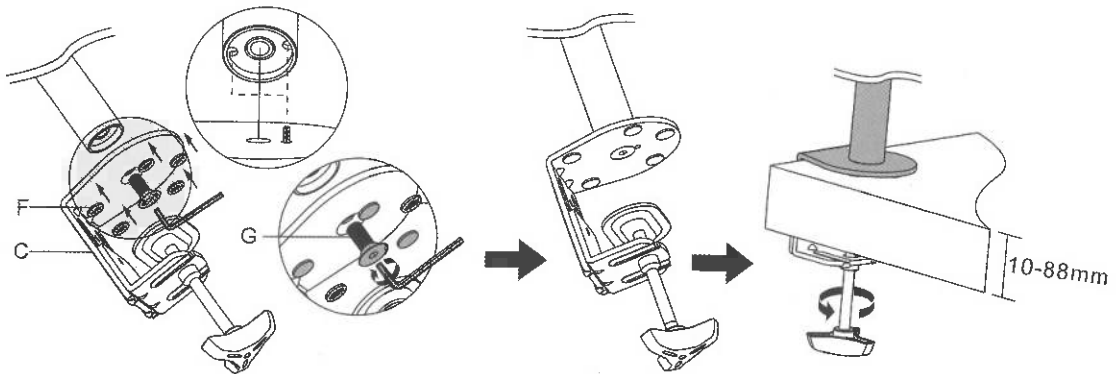
STEP 1
Add cover on pole

- | | |
|--|---|
|  |  |
| B. Pole | I. Pole Cover |
| x1 | x1 |



STEP 2A
Clamp Mount

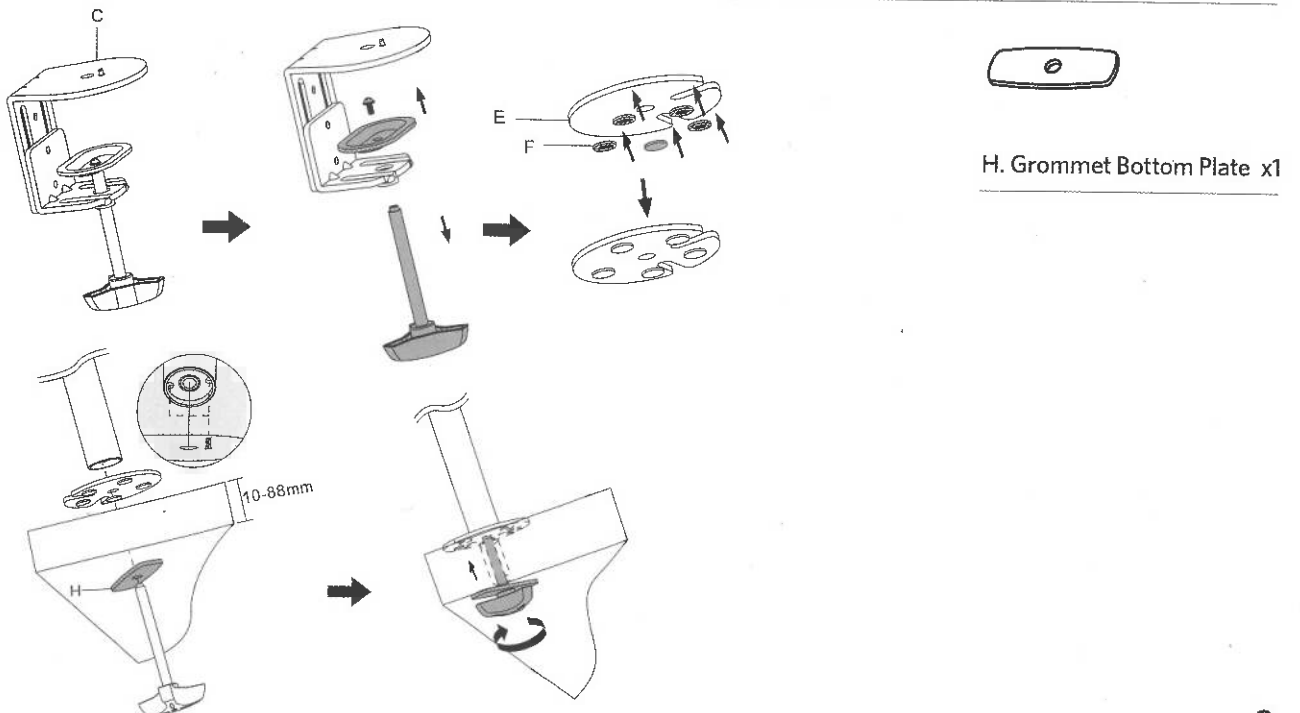
- | | | |
|---|---|---|
|  |  |  |
| C. Clamp Mount | F. Foam Feet | G. Flat Head Screw |
| x1 | x5 | x1 |



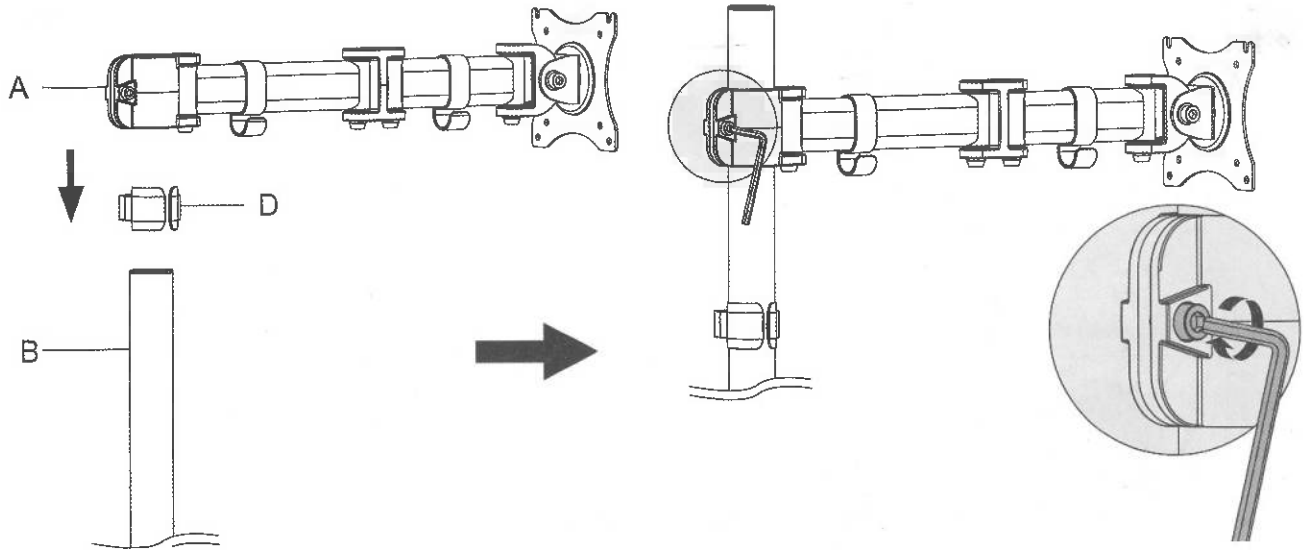
Attach Pole to Clamp Mount, and attach to desk.

STEP 2B
Grommet Mount

- | | | |
|---|---|---|
|  |  |  |
| C. Clamp Mount | E. Grommet Top Plate | F. Foam Feet |
| x1 | x1 | x5 |

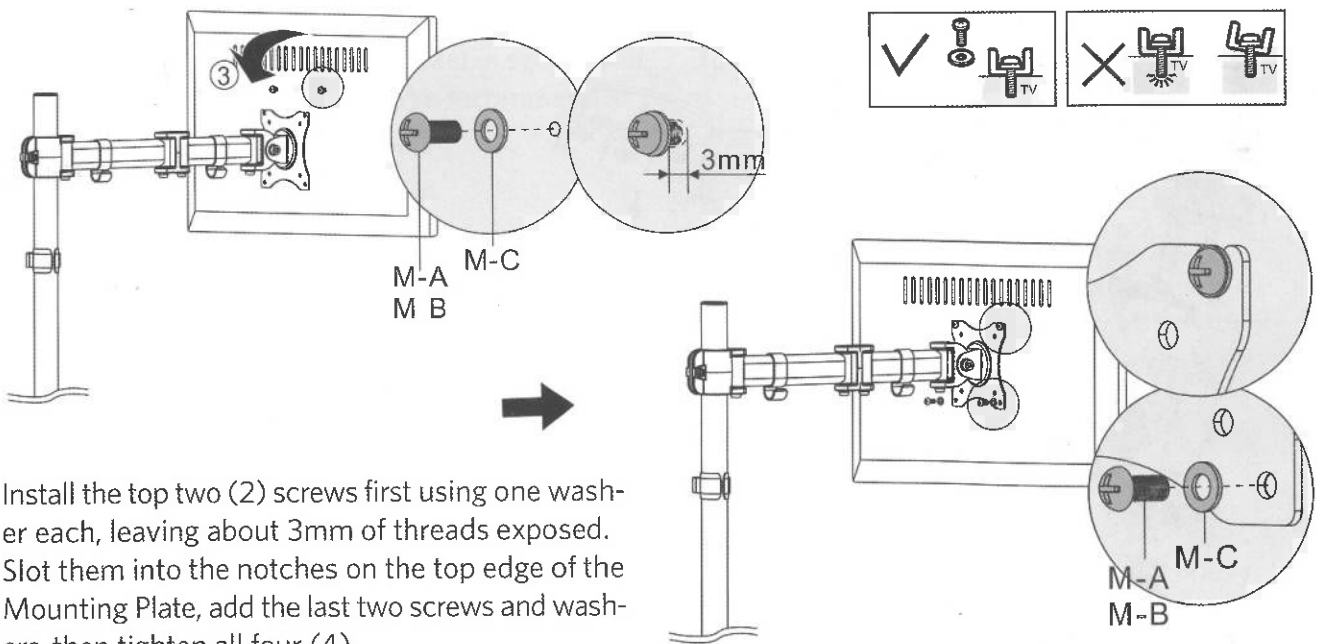
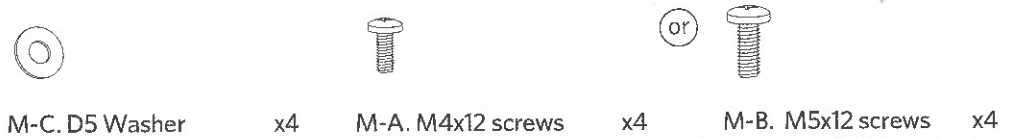


STEP 3



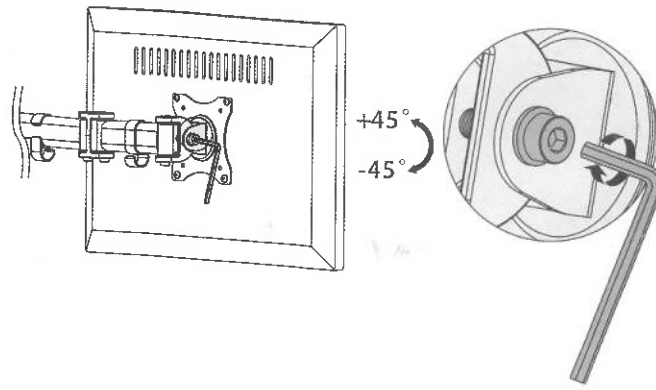
Slide Cable Channel onto Column. Add Arm, and lock in place at desired height.

STEP 4



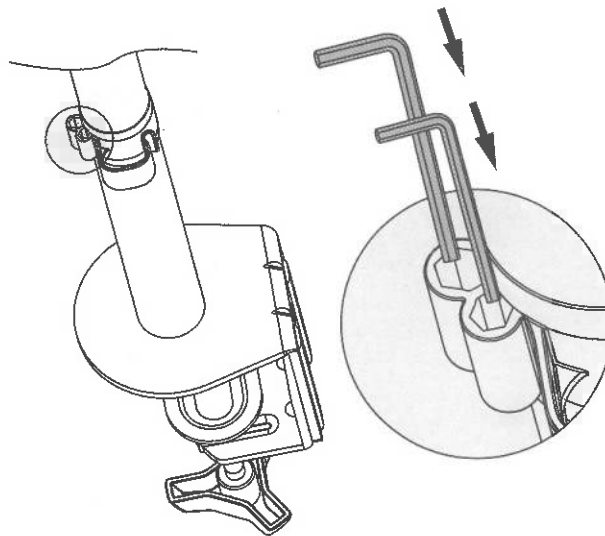
Install the top two (2) screws first using one washer each, leaving about 3mm of threads exposed. Slot them into the notches on the top edge of the Mounting Plate, add the last two screws and washers, then tighten all four (4).

STEP 5



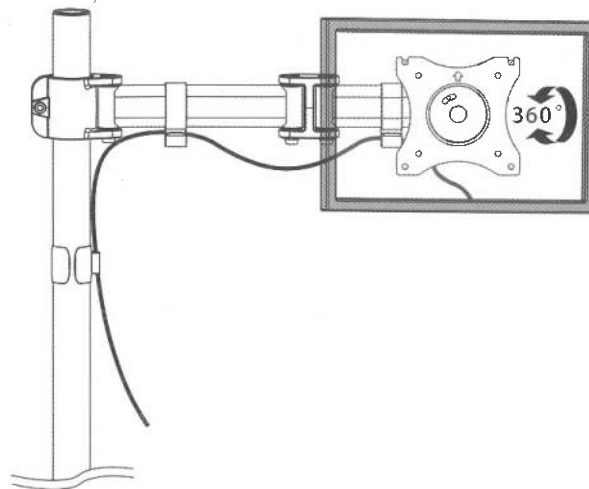
Adjust monitor tilt.

STEP 6



Stash your Hex Keys

STEP 7



Adjust Monitor height and rotation. Route cables through Cable Channels and Clips.