

Jarvis single monitor arm

Desks, chairs & things
to keep you moving



VERSION 04012018A

fully

Assembly instructions

For assembly assistance,
call 888-508-3725
or email support@fully.com

fully

Cautions

Read this entire instruction manual before you start installation and assembly. If you have any questions regarding any of the instructions or warnings, please contact Fully.

Use with monitors heavier than 19.8 lbs may result in instability causing possible injury.

Mounts must be attached as specified in assembly instructions. Improper installation may result in damage or serious personal injury.

Make sure that the supporting surface will safely support the combined weight of the Monitor Desk Mount and all attached hardware and components.

Use the monitor mounting screws provided and **DO NOT OVER TIGHTEN** them.

This product contains small items that could be a choking hazard if swallowed. Keep those items away from children.




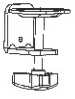




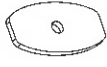









This product is intended for indoor use only. Using this product outdoors could lead to product failure and personal injury.

Important: Ensure that you have received all parts according to the component checklist prior to installation. If any parts are missing or faulty, contact Fully.

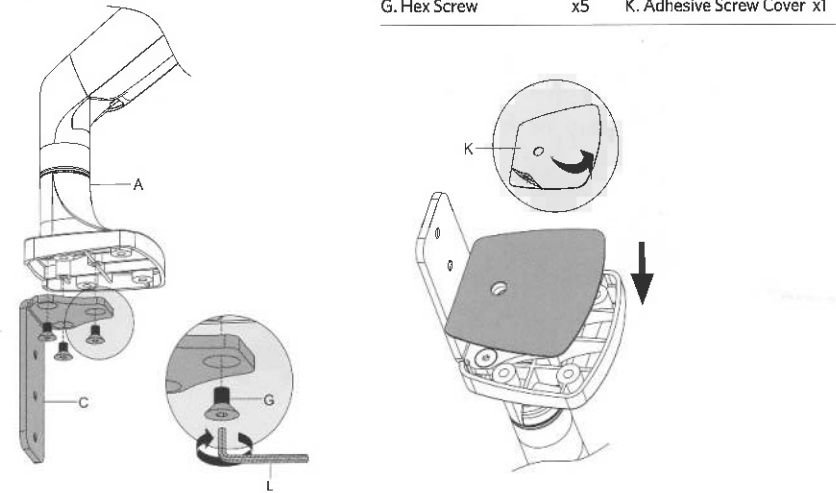
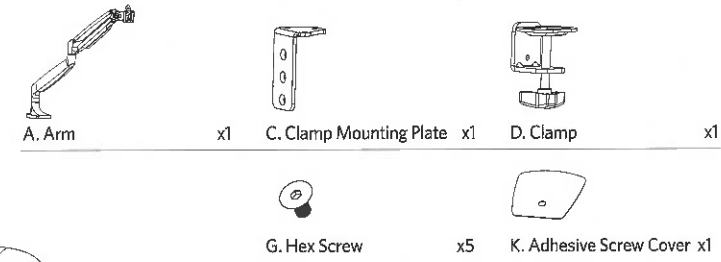
Maintenance: Check that the bracket is secure and safe to use at regular intervals. We recommend at least every three months.

Jarvis is a registered trademark of Fully, Inc. All rights reserved.

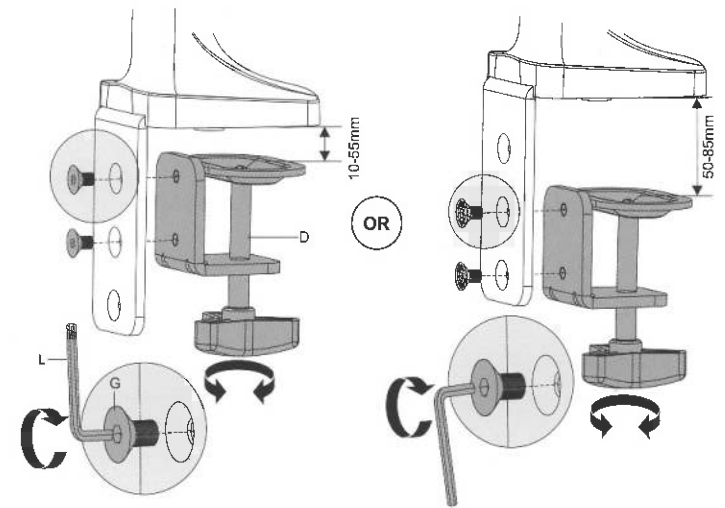
In the box

	x1		x1
	x1		x1
	x1		x1
	x5		x1
	x1		x1
	x1		x4
	x4		x4
	x1	Tools	
			Phillips Head Screwdriver (not included)
	(included)		M. 6mm Hex Wrench (included)

Step 1a Clamp Mount



To secure the Jarvis Monitor Arm to the edge of a desk top, begin by attaching the Clamp Mounting Plate to the bottom of the Arm using three(3) Hex Screws. Use the Adhesive Screw Covers to cover the screws, this will prevent damage to your desk top.

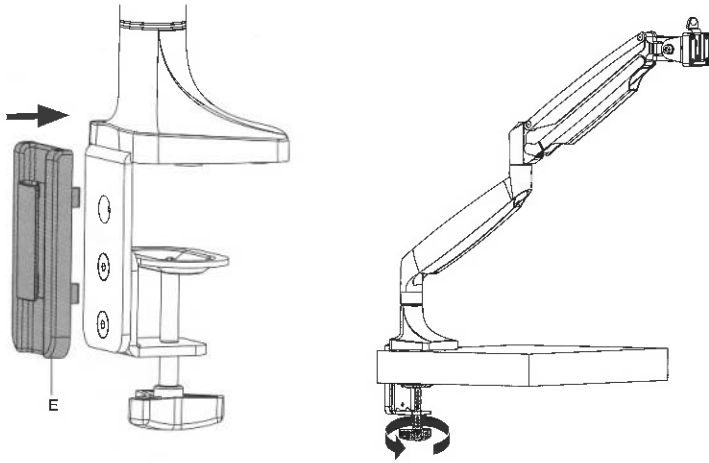


Attach the Clamp to the Mounting Plate using two(2) Hex Screws. There are two positions dependent on the thickness of your desk top. Most desk tops use the top set of holes.

Step 2a Clamp Mount



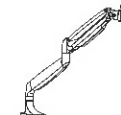
E. Cable Guide x1



Attach the Cable Guide to the back of the Clamp Mounting Plate. With the Monitor Arm on the edge of the desk top, tighten the Clamp Knob until the Monitor Arm is secure.

Continue to page 5.

Step 1b Grommet Mount



A. Arm x1



H. Grommet Mount Bracket x1



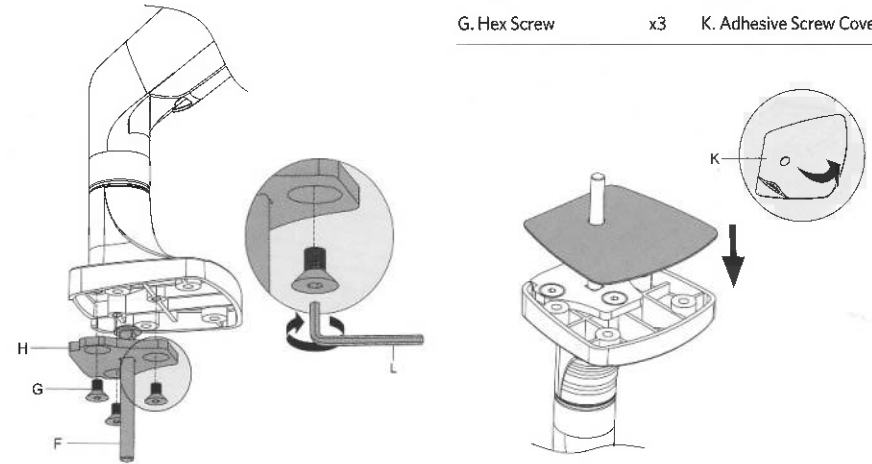
F. Grommet Bolt x1



G. Hex Screw x3



K. Adhesive Screw Cover x1



To secure the Jarvis Monitor Arm through a grommet hole, begin by using three(3) Hex Screws to attach the Grommet Mount Bracket with Grommet Bolt to the bottom of the Arm. Use the Adhesive Screw Covers to cover the screws, this will prevent damage to your desk top.

Step 2b Grommet Mount



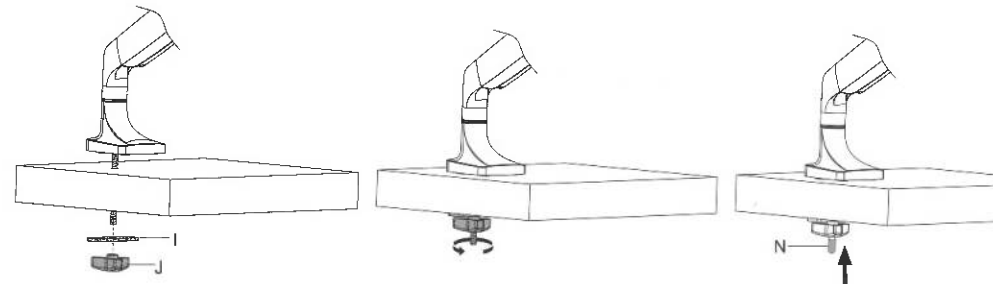
I. Grommet Bottom Plate x1



J. Grommet Knob x1

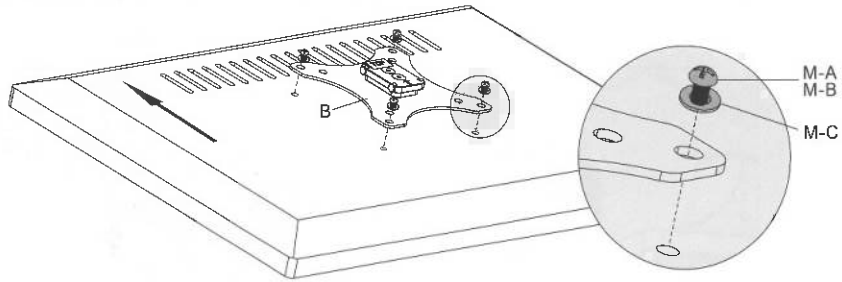
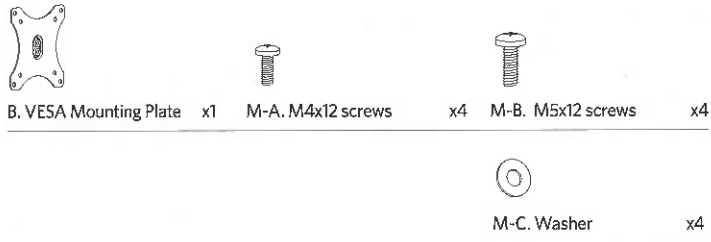


N. Rubber Sleeve x1



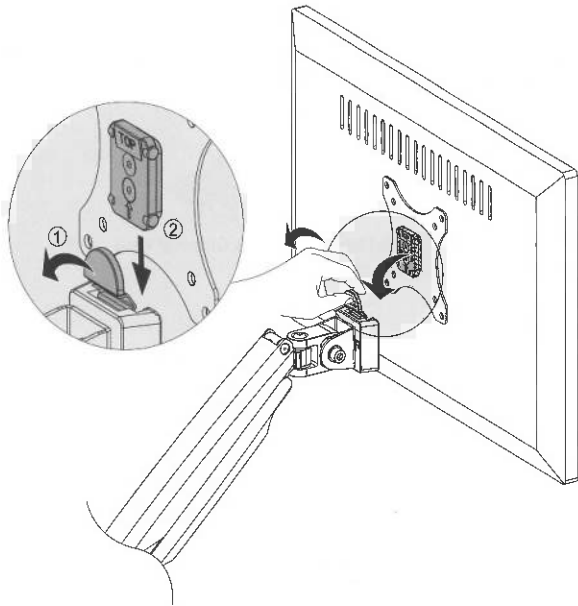
With the Monitor Arm in the desk's grommet hole, slide the Grommet Bottom Plate onto the Grommet Bolt, then thread the Grommet Knob on and tighten it until the Monitor Arm is secure.

Step 3



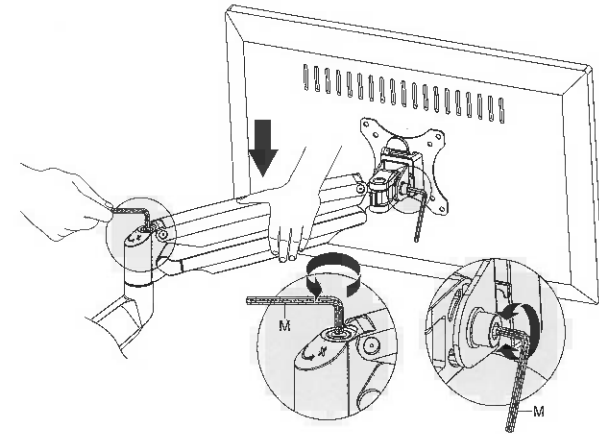
With a screwdriver and the correct sized screws, attach the VESA mounting plate to the back of your monitor.

Step 4



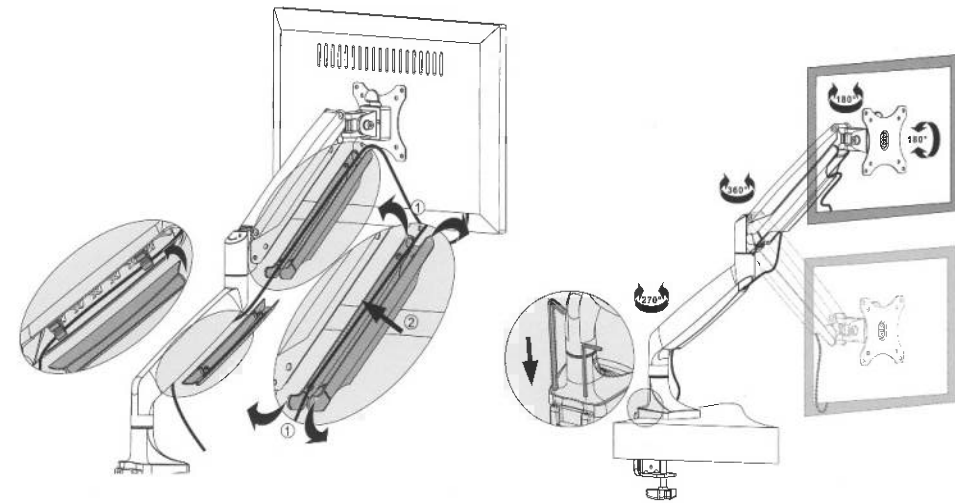
Attach the monitor to the Arm by pulling back the VESA plate tab and sliding the VESA mounting plate into it. There will be a click into place letting you know it's secure.

Step 5



Calibrate the tension of the arm by turning the tension bolt clockwise for lighter monitors or counterclockwise for heavier monitors. It may require multiple rotations to calibrate the arm successfully. Once calibrated, the arm will be able to hold the monitor at any height in its travel.

Step 6



Route the monitor's cables through the Jarvis Monitor Arm's two cable channels. The top channel snaps off from its mounting points. The bottom tray slides upwards from its mounting points.

Finally, route the cables through the Cable Guide and stow your Hex Keys for future adjustment.